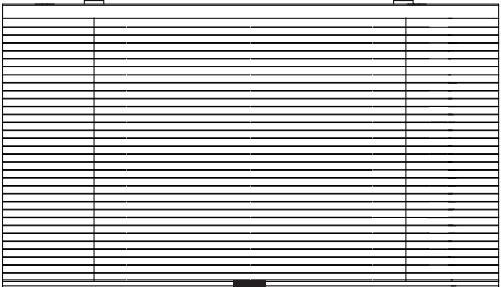






03.2026 - ver.1




A x1



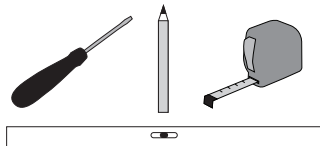
B x2-3 C x1 D x4-6



0-3

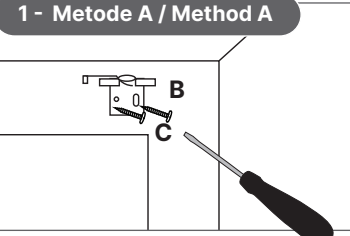


debel.dk

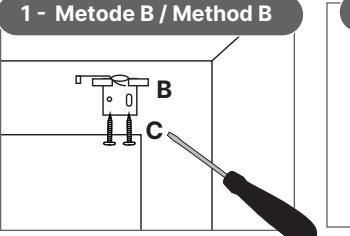


VÆLG MONTERINGSMETODE (A ELLER B)
 CHOOSE MOUNTING METHOD (A OR B)

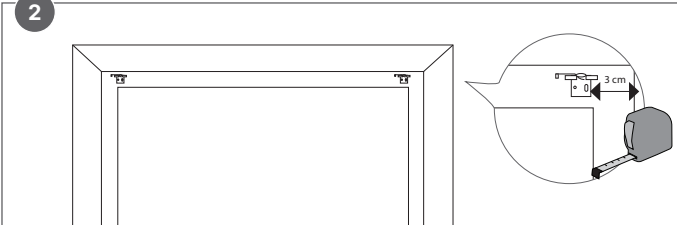
1 - Metode A / Method A



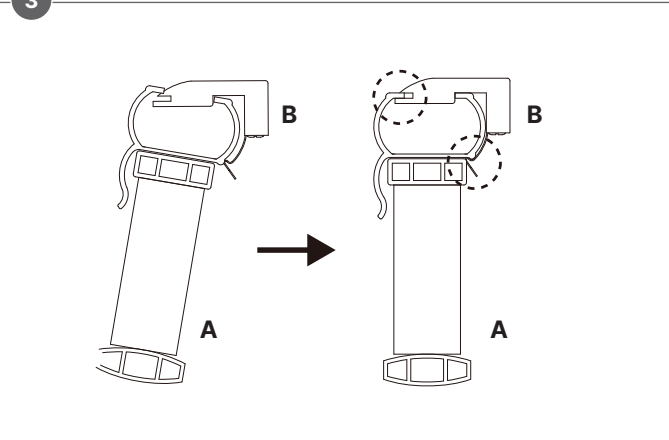
1 - Metode B / Method B



2



3



4

