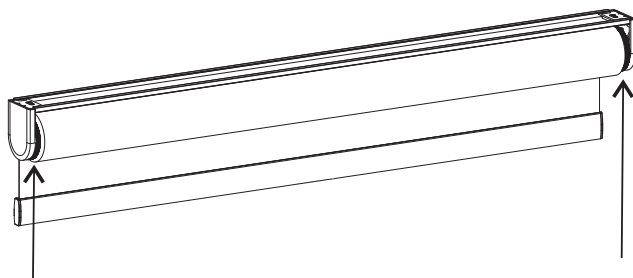


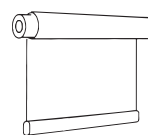
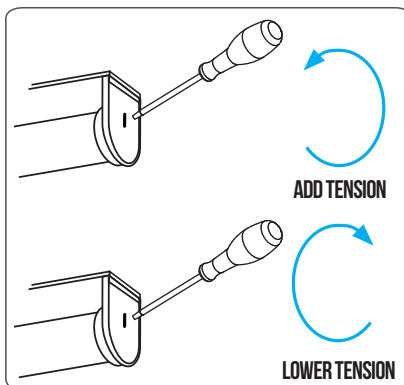
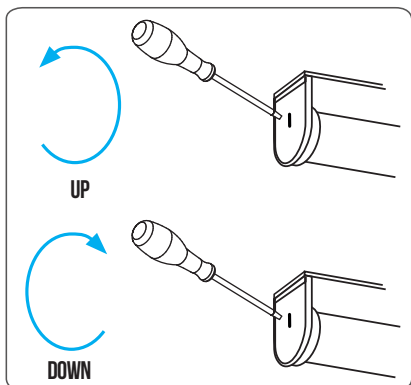
MONTAGEVEJLEDNING: SOFT CLOSE RULLEGARDIN MED MONTERINGSBAR

INSTALLATION MANUAL: ROLLER BLIND, SOFT CLOSE W. MOUNTING BAR

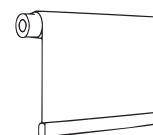


DK: Disse indstillinger gælder for standard rul. For omvendt rul, laves indstillingerne i modsatte side.

EN: These settings apply for standard roll curtains. For reversed roll, adjustments should be done on reverse side.



DK: Standard rul
EN: Standard roll



DK: Omvendt rul
EN: Reversed roll

Montering med monteringsbar - til loft/niche- (a) eller vægmontering (b)
Installation with mounting bar - for ceiling/niche (a) or wall (b) mounting

